

STERIL-AIRE®

UVC for HVAC™

ENHANCED EXTERNAL MOUNT ENCLOSURE

Preassembled Power Supply Boxes!
for 1- 4 Power Supplies!

Enhanced Build Your Own Series

Steril-Aire extends installation possibilities by making Enhanced mounting solutions more flexible than ever. Steril-Aire's Enhanced External Mount Enclosure gives you the ability to bring Steril-Aire's UVC Solutions to an even wider range of air handler needs.

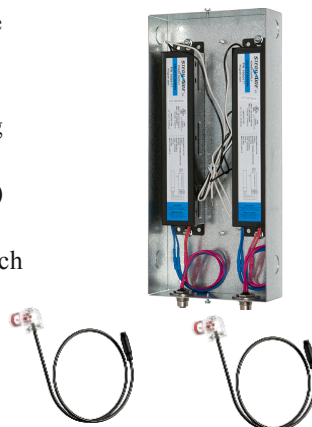


*****Emitters Sold Separately*****

The Enhanced External Mount Enclosures come preassembled from the factory in 1, 2, 3 or 4 power supply configurations. Each box has a power supply(s) mounted and wired to the corresponding M12 female receptacle. Also included is an IP67 compliant Steril-Aire Emitter connection cable for each Power Supply.

To build your own Enhanced Steril-Aire solution, **you will need to purchase:**

- EGTS Emitters
- framing hardware for mounting
- Optional M12 extension cables (available in: 5', 10', 20', or 30')
- Optional Accessories:
 - interlocking door switch
 - Steril-Aire Watchdog
 - Steril-Aire UVC Controller



Applications

This enclosure is perfect for mid to large sized air handlers where accessibility to the power supply(s) is needed. These pre-assembled boxes can be mounted inside or outside the unit and require only 1 electrical feed per box.

Steril-Aire's patented EGTS Emitters, IP67 Compliant cabling and framing options offer an unrivaled UVC Solution.

With the built in M12 receptacle(s), Included Emitter connection cables are just pushed and screwed into place. When hand tightened, they become IP67 compliant water-resistant connections.

Benefits

- Reduces HVAC energy costs by restoring heat transfer and net cooling capacity.
- Uses germicidal UVC irradiation which has been proven as an effective inactivation method for mold, bacteria and viruses.
- Improves Indoor Air Quality.
- Eliminates costly cleaning programs and the use of harmful chemicals and disinfectants by continuously cleaning coils, drain pans, plenums and ducts.
- Delivers up to 6 times the output of competitive UVC products at HVAC operating temperatures, for longer life and more reliable germicidal control.
- Optional M12 extension cables allow the flexibility to mount the box externally without distance constraints of preassembled turn key solutions.
- Uses IP67 compliant Emitter connector for water resistant installations in condensing environments.
- Uses patented state-of-the-art solid-state electronic power supply for enhanced reliability and performance.
- Produces no ozone or other secondary contaminants.
- Installs quickly and easily.

The power supplies installed in the enclosure support all 16"-61" EGTS emitters (*sold separately*) at voltage ratings of 120V - 277V. The power supplies have a warranty of 5 years.

Specifications

The Enhanced External Mount Enclosures shall be factory assembled and tested. The steel enclosure shall consist of 1-4 preassembled power supplies with wires and corresponding M12 receptacle(s).

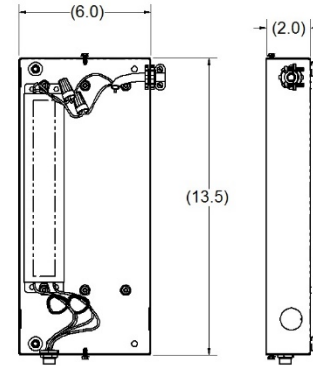
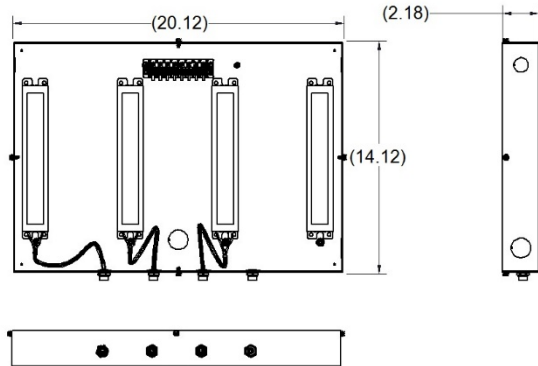
The Emitter Connection cables shall be IP67 Compliant and connect to the power supply through the installed M12 receptacle(s) on the External Mount Enclosures

The power supply shall be a class P with a power factor of >0.98. It shall be suitable for single-phase input power

ranging from 120 277 V (+/-10%) and 50/60 Hz. The design shall include RF and EMI suppression.

Independent Testing: The unit shall be tested by an independent test laboratory and shall be verified to provide output per one-inch arc length of not less than $9 \mu\text{W}/\text{cm}^2$ at 1 meter in a 400-fpm airstream of 50 °F.

Unit shall comply with ANSI/UL Standards 153, 1598, 1995 and CSA and CE standards. The manufacturer shall be both an ISO 9001:2015 AND an ISO 14001:2015 certified facility.



Part No.	Description	Included Emitter Connection Cable Lengths
11411100	Preassembled Power Supply Box (1 Power Supply)	(1) 5-foot cable
11412200	Preassembled Power Supply Box (2 Power Supplies)	(2) 5-foot cables
11423210	Preassembled Power Supply Box (3 Power Supplies)	(2) 5-foot cables & (1) 10-foot cable
11424220	Preassembled Power Supply Box (4 Power Supplies)	(2) 5-foot cables & (2) 10-foot cables

Enhanced Emitters to use with this product...

Part No.	Description	Length	Watts
21000710	Enhanced UVC Emitter EGTS 12 VO	12"	16
21000110	Enhanced UVC Emitter EGTS 16 VO	16"	38
21000210	Enhanced UVC Emitter EGTS 20 VO	20"	50
21000310	Enhanced UVC Emitter EGTS 24 VO	24"	61
21000410	Enhanced UVC Emitter EGTS 30 VO	30"	72
21000510	Enhanced UVC Emitter EGTS 36 VO	36"	89
21000610	Enhanced UVC Emitter EGTS 42 VO	42"	105
21000910	Enhanced UVC Emitter EGTS 50 VO	50"	130
21000810	Enhanced UVC Emitter EGTS 61 VO	61"	160

OPTIONAL Extension cords	Part No.
M12 Extension Cable for Enhanced - 5ft	50000135-05
M12 Extension Cable for Enhanced - 10ft	50000135-10
M12 Extension Cable for Enhanced - 20ft	50000135-20
M12 Extension Cable for Enhanced - 30ft	50000135-30

This product may be covered by one or more of the following patents, others pending: 6,280,686 / 6,313,470 / 6,372,186 / 6,423,882 / 6,500,267 / 6,589,476 / 6,627,000 / 6,997,578 / 7,140,749 / 7,282,728 / 7,459,694.



Steril-Aire, Inc.

Corporate Office:
 2810 N. Lima Street
 Telephone: 818-565-1128
 Fax: 818-565-1129
 Website: www.steril-aire.com
 Email: Sales@steril-aire.com
 ©2018 Steril-Aire

PN 1130A



Complies with current U.S. and Canadian safety standards for use in HVAC equipment



REGISTERED to ISO 9001:2015
 & ISO 14001:2015

Represented by: